



# TechSonic-W™

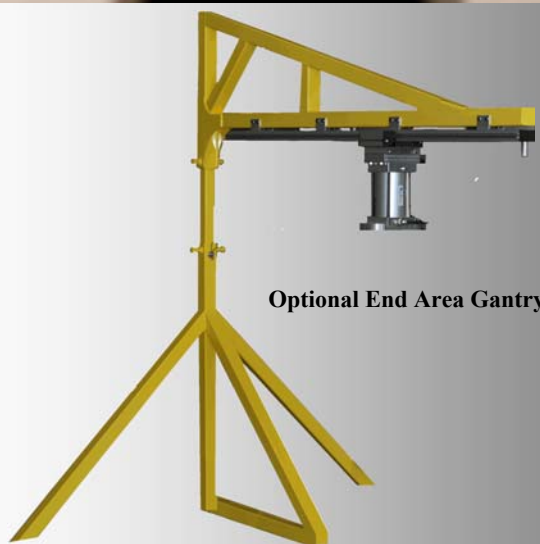
*Ultrasonic End Area Inspection System (UTEA)*



**THE TechSonic-W™** Ultrasonic End Area Inspection System (UTEA) is designed to inspect the critical end areas of drill pipe. The TechSonic-W™ is a complete UTEA system utilizing concave, handheld clear plexi-wedges with capacity up to 5 transducers. All transducers will be mounted in one wedge which is mounted into a universal handheld scanning head which fits all sizes of wedges. Transducers are interchangeable, but it is recommended to stock at least one extra set to minimize changeover time between sizes. Inspection data is displayed in “real time” on a laptop computer and saved to a hard drive or other storage devices. Complies with API & DS-1 specs.

#### The standard system includes:

- ◆ Compact electronics enclosure cabinet with high speed UT scope and 8 channel multiplexer. 110 or 220V input
- ◆ Universal scanning head/wedge holder for clear plexi-wedges (fits sizes 2-3/8” to 6-5/8”) *Optional secondary scanning head available, for scanning of both pipe ends*
- ◆ Clear plexi-wedges (2 3/8” - 6 5/8”)
- ◆ 5 Transducers
- ◆ DAQTech-III™ Computer Data Acquisition System with Dell Ruggedized Laptop Computer
- ◆ Set of cables
- ◆ Optional end area gantry for semi-automation
- ◆ No pipe rotators required
- ◆ Complies with TH Hill DS-1 Cat 5 specifications



Optional End Area Gantry



**NEW TECH**  
systems

*The Industry's Leading Manufacturer of Quality Pipe Inspection Equipment & Related Products with Systems in Over 50 Countries.*

Mansfield, Texas USA Headquarters: 817-779-6262  
Louisiana Gulf Coast Service Center: 337-839-2674 - West Texas Service Center 432-561-5393  
Email: [contact@newtechsystems.com](mailto:contact@newtechsystems.com) - [www.newtechsystems.com](http://www.newtechsystems.com)